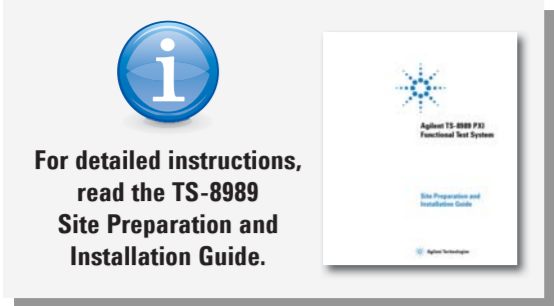


Quick Startup Poster



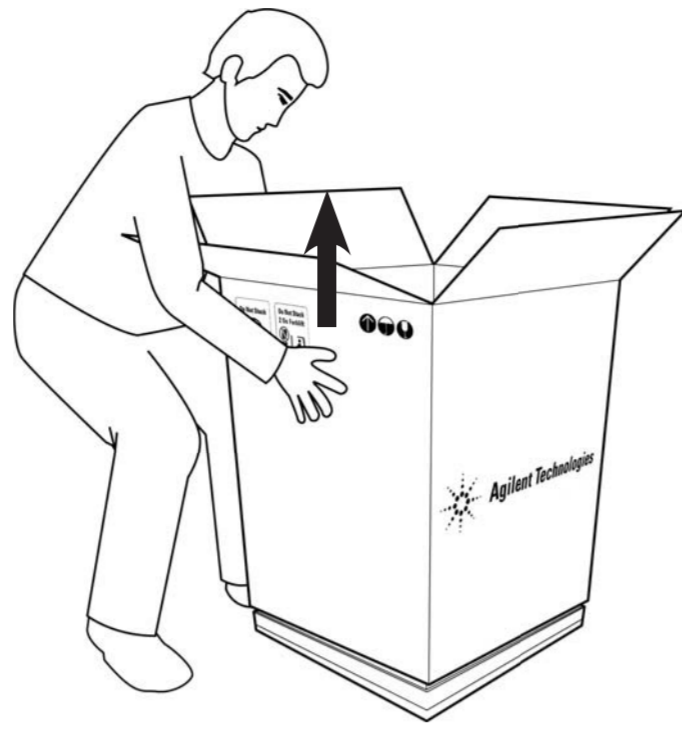
Follow the steps in the installation process to set up the TS-8989 System. Deviating from the process may cause unpredictable system behavior and/or damage your equipment.



To avoid damage when handling the system, do not touch exposed connector pins.

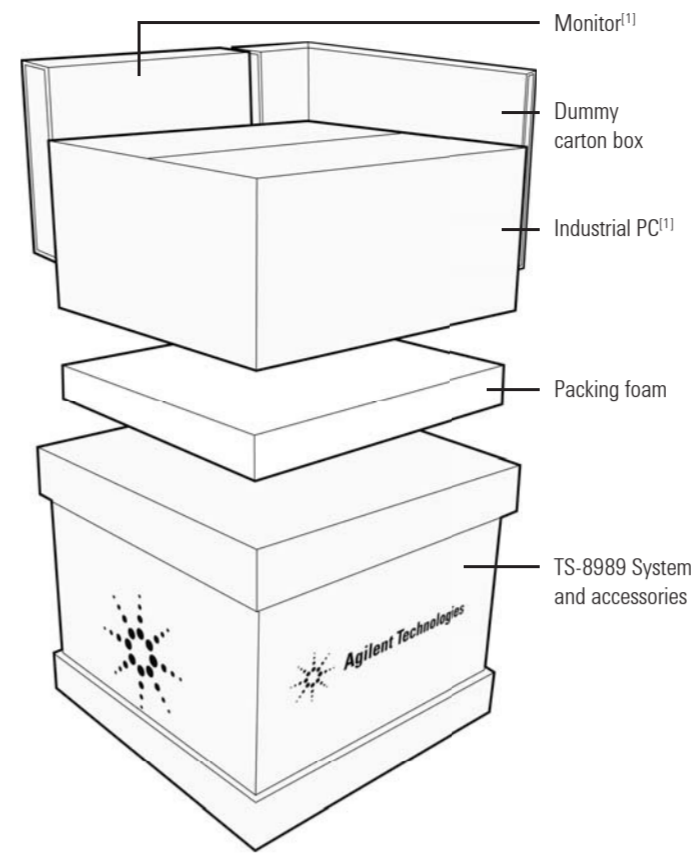
- Before unpacking the system, carefully inspect the shipping container for any shipping damage.
- Report any damage found to the shipping agent immediately, as such damage is not covered by the warranty.
- Keep the packing material to ensure that the test system can be moved safely to another location in the future.
- The recommended pallet jack dimensions are 20.25 inches (width) x 36 inches and above (length)

1. Remove all packing tape and wrap, and unfold the outer carton box flaps.



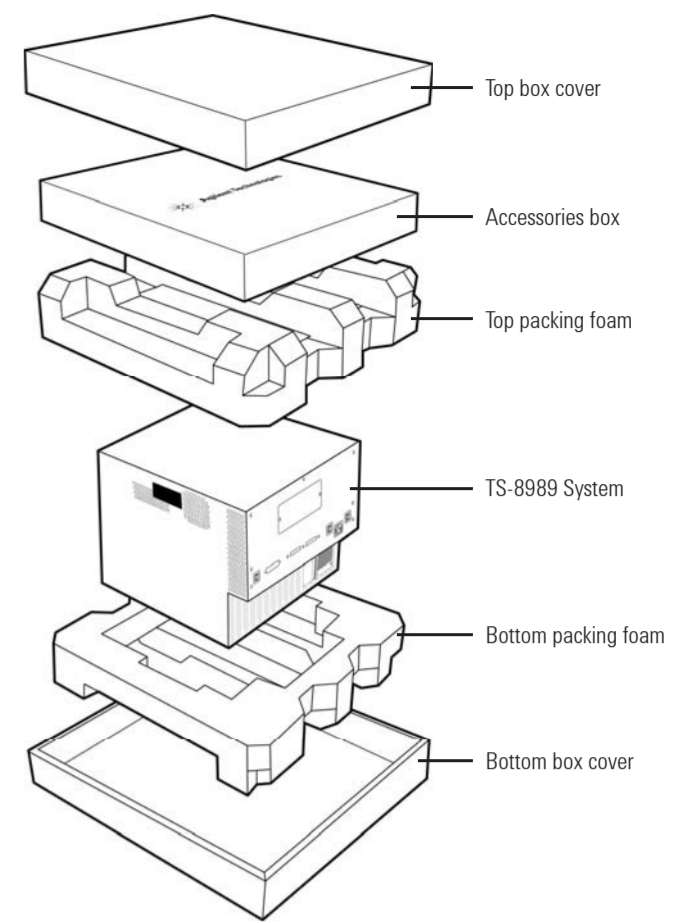
Gently lift the outer carton box straight up. Do not cut or tear the outer carton box.

2. Remove and unpack each item carefully.

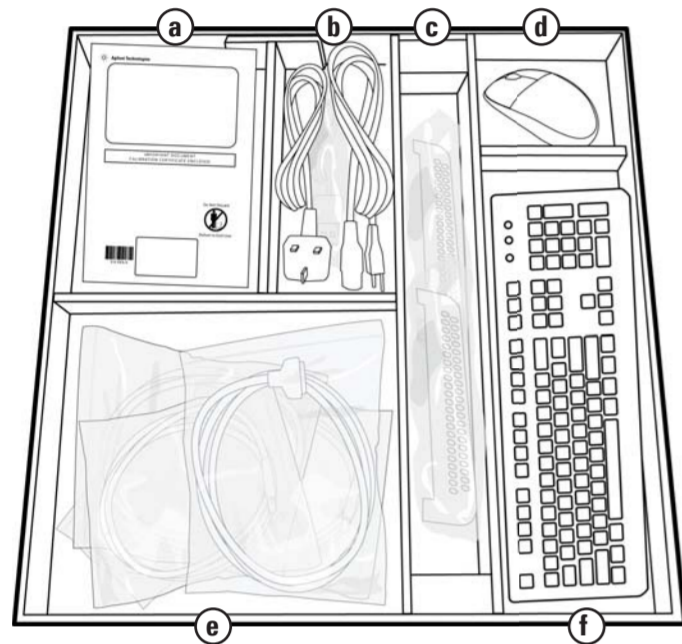


[1] If this item is not included in your list of ordered items, this item will be replaced by a dummy carton box in your shipment.

3. Remove the TS-8989 System carefully and place it on a flat surface.



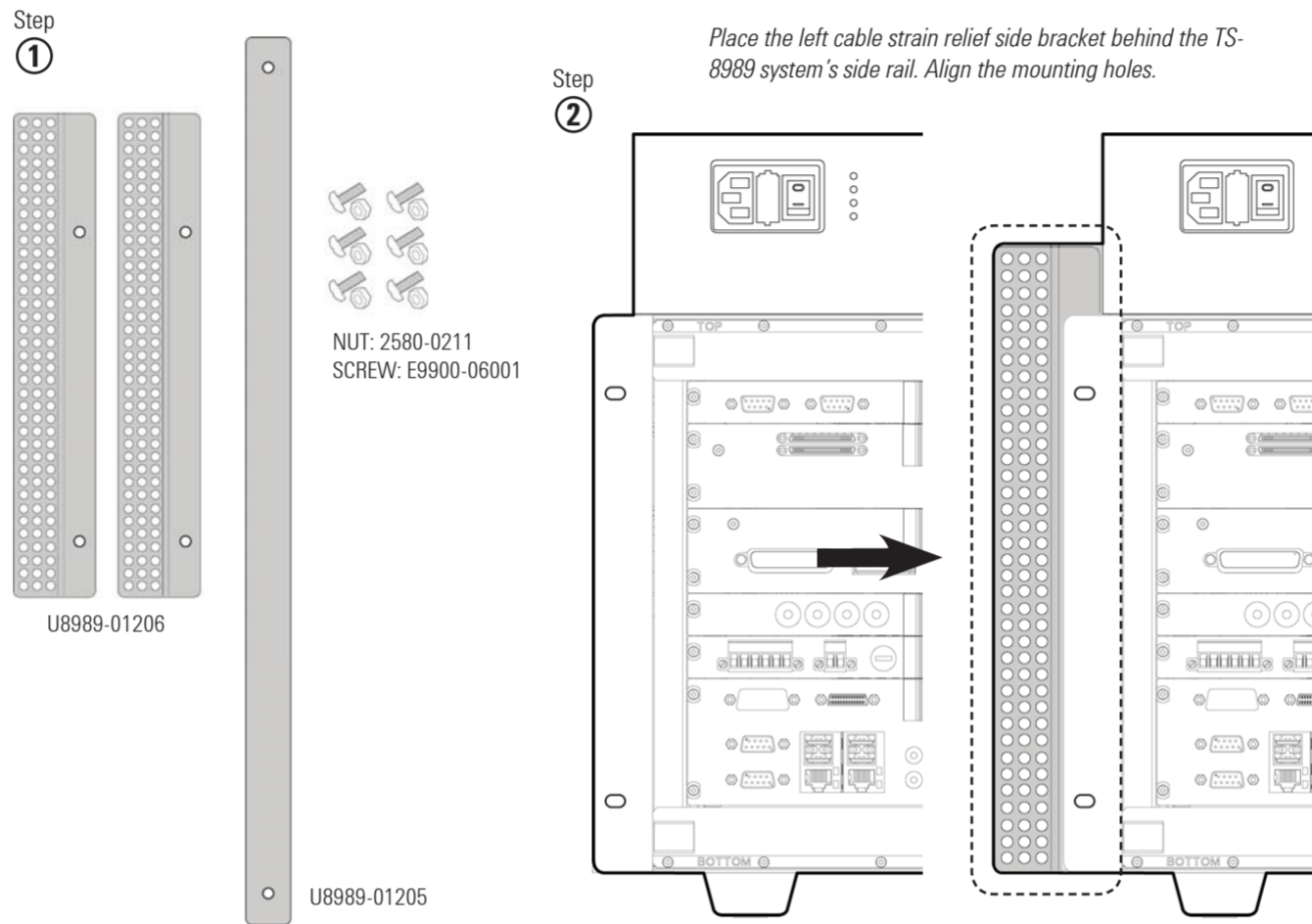
4. Inspect and verify that all cables and accessories are included^[2].



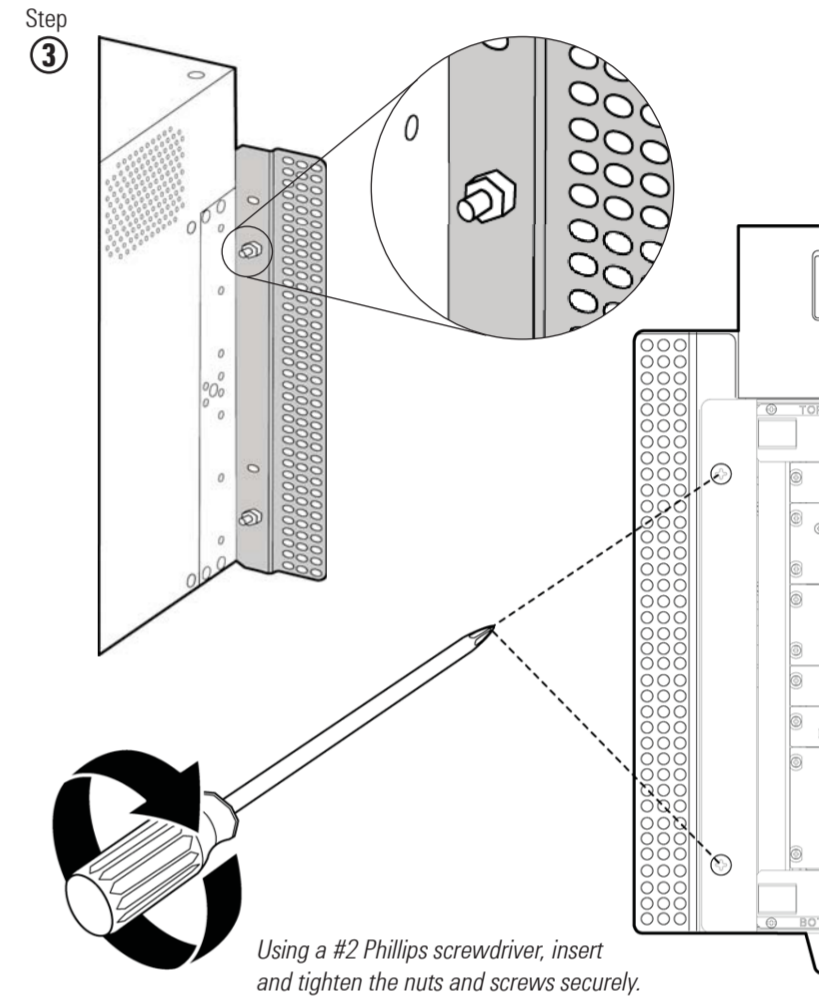
- a. FTC/CoC reports and CD-ROMs containing manuals and software
- b. Power cable and miscellaneous
- c. Cable and SLU card strain relief brackets^[2]
- d. Mouse^[2]
- e. Interface cables
- f. Keyboard^[2]

[2] A list of all interface cables can be found in the TS-8989 Wiring Guide and Hardware Reference. If the accessory is not ordered, the section will be left empty.

5. Install the cable strain relief bracket.

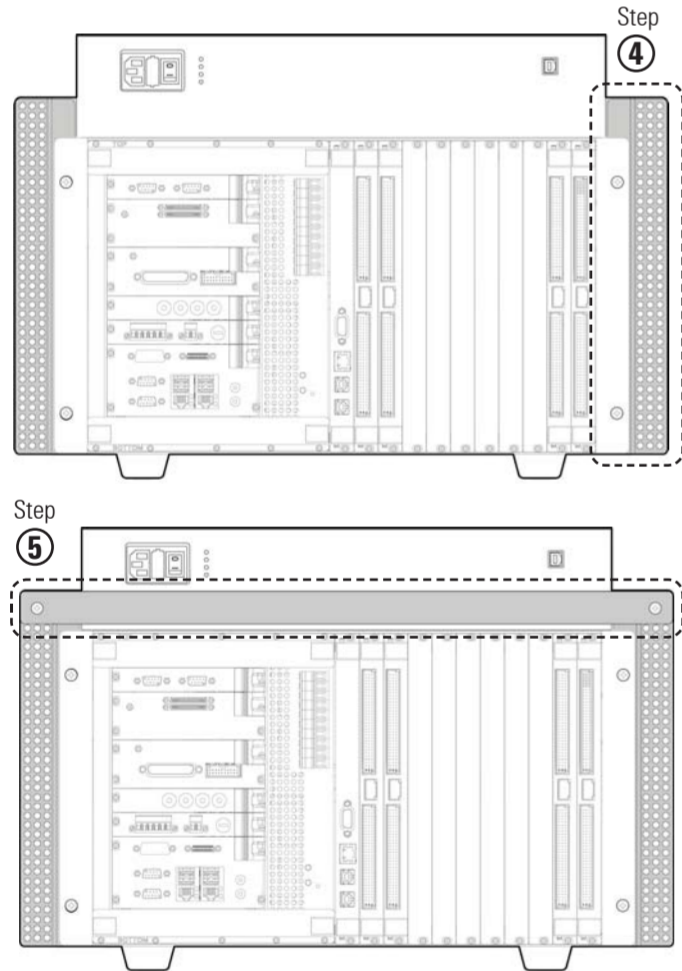


Place the left cable strain relief side bracket behind the TS-8989 system's side rail. Align the mounting holes.

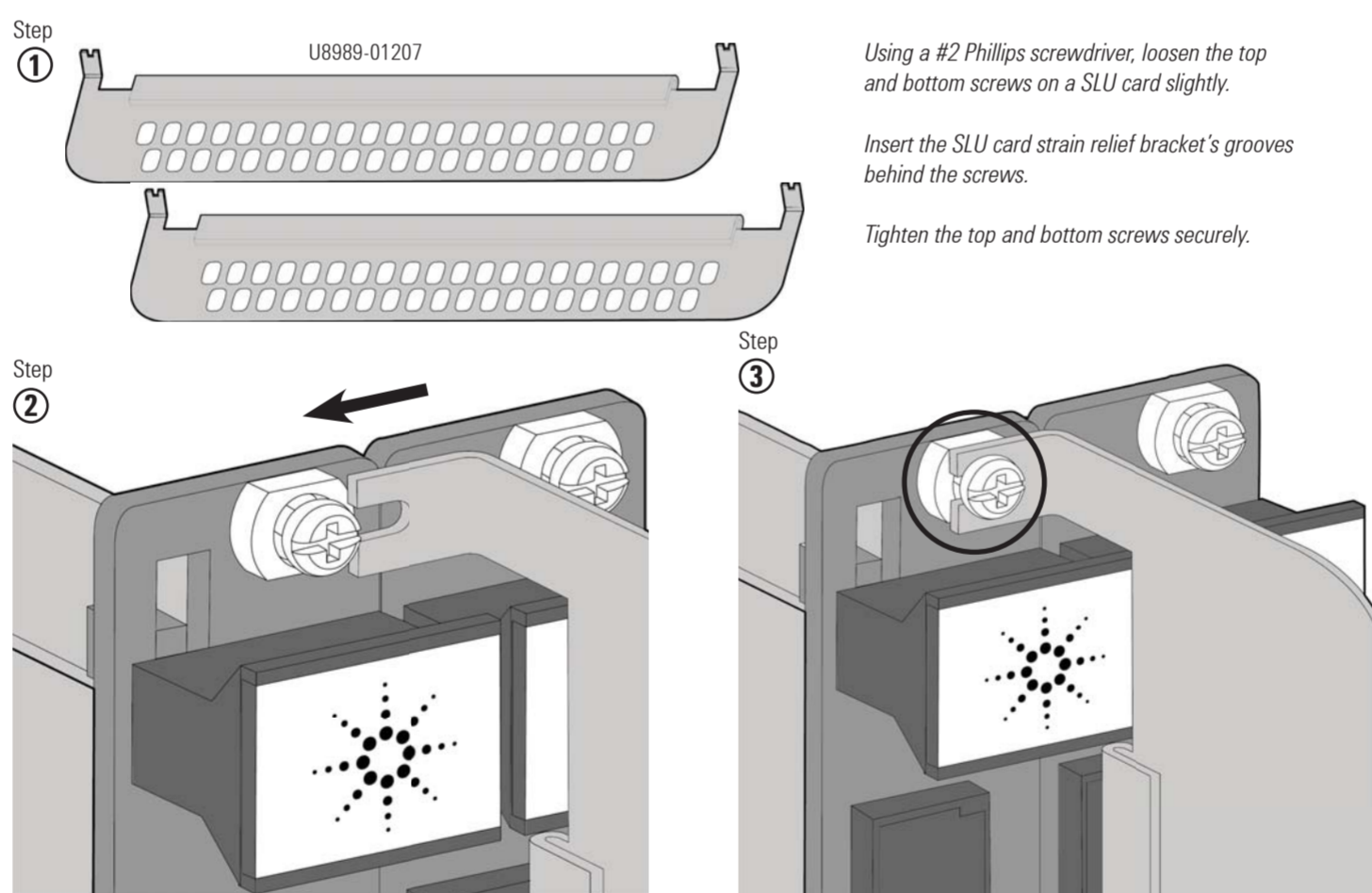


Using a #2 Phillips screwdriver, insert and tighten the nuts and screws securely.

Repeat step 2 and step 3 for the right and top side brackets.



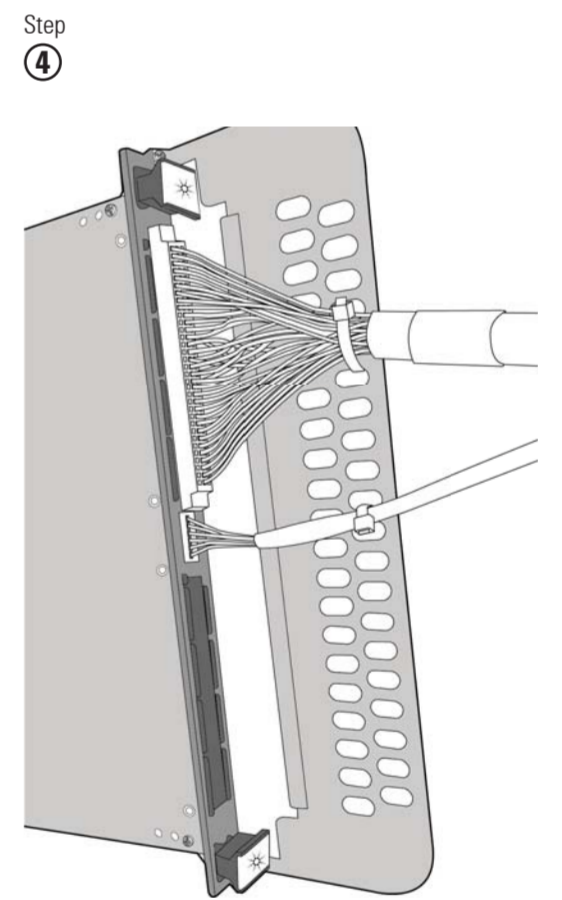
6. Install the SLU card relief bracket.



Using a #2 Phillips screwdriver, loosen the top and bottom screws on a SLU card slightly.

Insert the SLU card strain relief bracket's grooves behind the screws.

Tighten the top and bottom screws securely.



Using cable ties, tie the interface cables to the holes on the SLU card strain relief bracket

7. Connect the interface cables.

For ease of use, each individual interface cable is labeled at both ends to help you ascertain its proper connections.

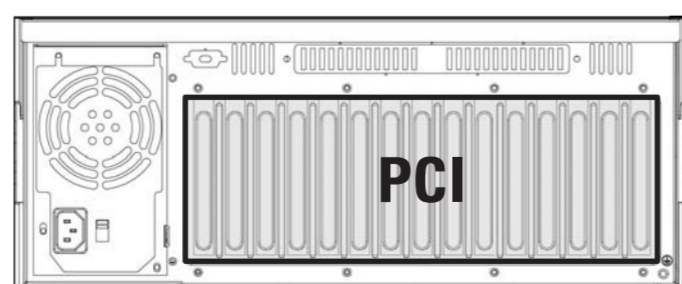
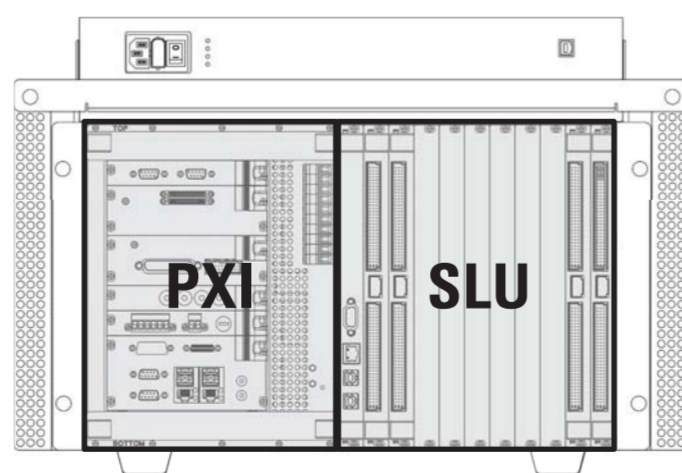


The connection label is marked with an asterisk (*) in front and behind of the label name.

The label name comprises three variables:

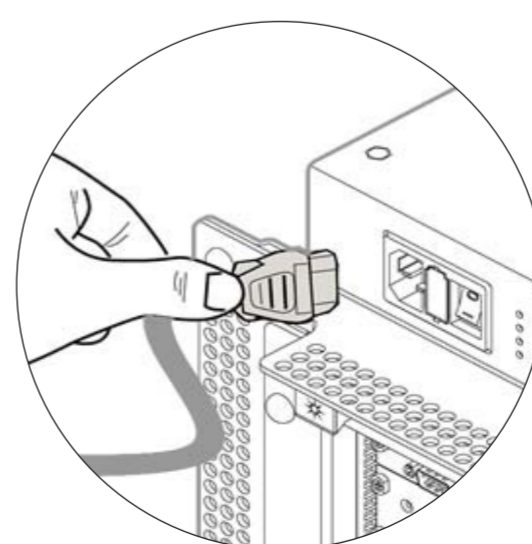
* <SUBSYSTEM>_ <SLOT NUMBER>_ <CONNECTOR NAME>

- <SUBSYSTEM>, the subsystem (SLU, PXI, or PCI) you should connect the end of the cable to.
- <SLOT NUMBER>, the slot number (printed on the card or instrument) that you should connect the end of the cable to.
- <CONNECTOR NAME>, the name of the connector (printed on the card/instrument) that you should connect the end of the cable to.



8. Turn on the power supply.

Connect the female end of the power cable to the power connector on the instrument interface side of the TS-8989 System.



Plug the male end into a three-prong grounded electrical outlet. Ensure that the interface cables are connected and secure. Ensure that the power switch on the PXI subsystem is turned on as well on the DUT interface side.

Turn on the TS-8989 system. The power switch is on the right of the power connector. The STATUS LEDs lights up when the TS-8989 system is powered on.

Note:

The pins on some interface cables are also labeled (e.g. Pin 0 or Pin 1). On the TS-8989 system, take note that for cables connected to the instrument routing card, J3 connector, the lowest pin (i.e. Pin 1) to the highest pin (i.e. Pin 6) is always counted from the bottom up.

